

# Data sheet

## RP025xxIBWC Typ 007

Page 1/6

P/N  
310071xx

xx=number of poles

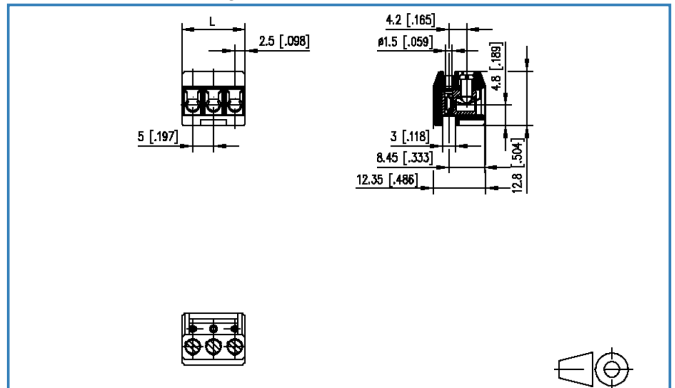
2019/10/23

Version: Q

### Illustrations



Dimensional drawing



See enlarged drawings at the end of document

### Product specification

- screw type terminal block, pluggable
- centerline 5.00 mm, direction of connection 90°
- wire protector, fittable without loss of poles
- color black
- wire entry perpendicular to plug direction, lamella

**Technical Data**

**General Data**

Tightening torque SEV	0.5 Nm		
Tightening torque UL	7 lb-in		
min. number of poles	2		
max. number of poles	24		
Insulating material class	CTI 600		
clearance/creepage dist.	2.3 mm		
protection category	IP20		
Min. insul. strip length	6 mm		
Overvoltage category	III	III	II
Pollution degree	3	2	2
Rated voltage	100 V	320 V	320 V
Rated test voltage	2.5 kV	2.5 kV	2.5 kV

**Connection Data**

rat.wiring solid AWGmax	0.33 mm <sup>2</sup> - 2.5 mm <sup>2</sup> / AWG 22 - AWG 12		
rat.wiring strand.AWGmax	0.33 mm <sup>2</sup> - 2.5 mm <sup>2</sup> / AWG 22 - AWG 12		

**Approvals**

extended wiring UL	Wire range extended to No. 30 AWG for factory-wiring. Two same size wires No. 22-16 AWG Cu, Sol/Str for field-wiring; No. 30-16 AWG Cu Sol/Str factory-wiring.		
--------------------	--	--	--

 V / A / AWG	300 / 15 / 22 - 12		
---	--------------------	--	--

approval UL - File No.	E121004		
------------------------	---------	--	--

 2.5 mm <sup>2</sup>	250 V / 2.5 kV / 10 A		
---	-----------------------	--	--

**Material**

insulating material	PA66		
flammability class	V0		
contact material	CuBe		
contact surface	Ni + Ag		
terminal body material	CuZn		
terminal body surface	Cu + Ni		
screw surface	Zn Cr(VI)-frei/free		
wire protector material	CuSn		
wire protector surface	Sn		
screw thread	M3		

**Data sheet**  
**RP025xxIBWC Typ 007**

Page 3/6

P/N  
**310071xx****xx=number of poles**

2019/10/23

Version: Q

**Technical Data**

Glow-Wire Flammability GWFI	960 °C acc. to IEC 60695-2-12
Glow-Wire Flammability GWIT	775 °C acc. to IEC 60695-2-13
REACH - substance (SVHC)	Lead / 7439-92-1

**Climatic Data**

upper limit temperature	105 °C
lower limit temperature	-40 °C

**General**

Tolerance	ISO 2768 -mH
-----------	--------------



## Accessories

P/N	Designation
710084	710084
710085	710085
710121-2	710121
710122-2	710122
716846	716846

© 2019 METZ CONNECT - Technische Änderungen vorbehalten! Subject to modifications! Sous réserve de modifications techniques!



## Data sheet RP025xxIBWC Typ 007

Page 5/6

P/N  
310071xx

xx=number of poles

2019/10/23

Version: Q

### Counterpart

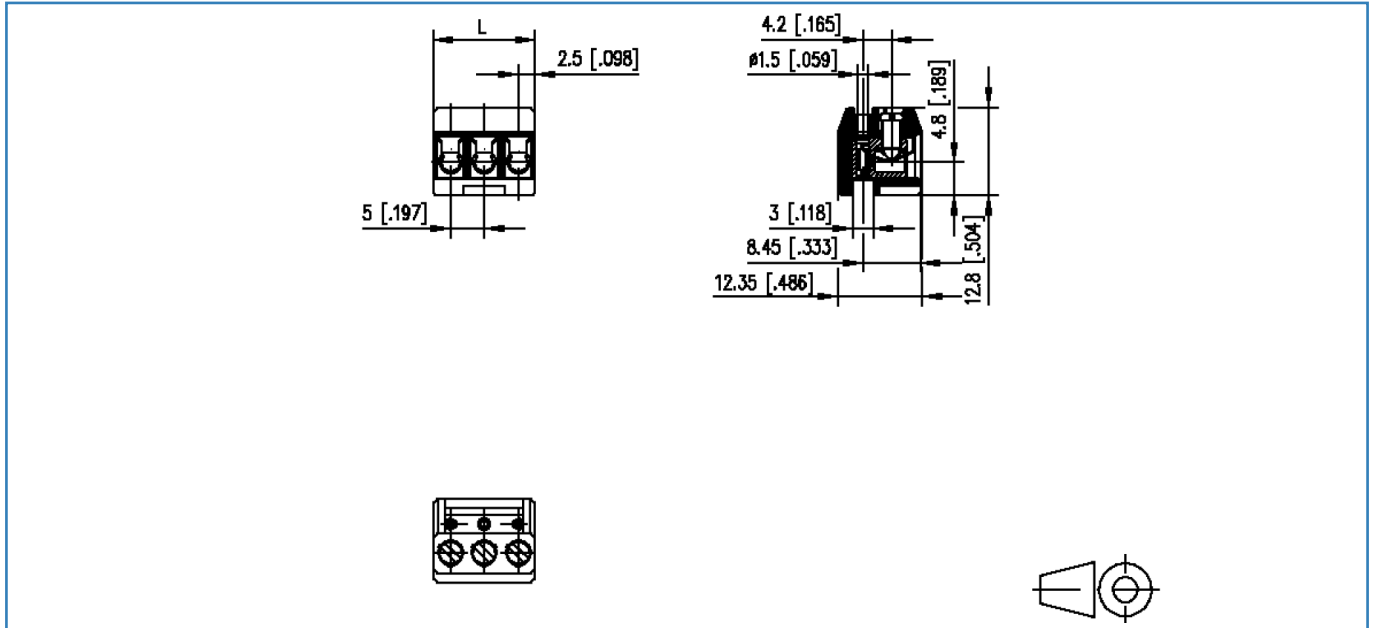
P/N	Designation
310171	PR015xxVBHC Typ 017
310271	PR015xxVBVC Typ 027
310391	PT055xxHBHC Typ 039
310411	PT065xxVBEN Typ 041
310421	PT065xxVBVN Type 042
314171	PM035xxVBHC Typ 417

© 2019 METZ CONNECT - Technische Änderungen vorbehalten! Subject to modifications! Sous réserve de modifications techniques!



**Illustrations**

Dimensional drawing



$L = (\text{pole size} - 1) \times \text{centerline} + 5 \text{ mm } [0.197]$

© 2019 METZ CONNECT - Technische Änderungen vorbehalten! Subject to modifications! Sous réserve de modifications techniques!